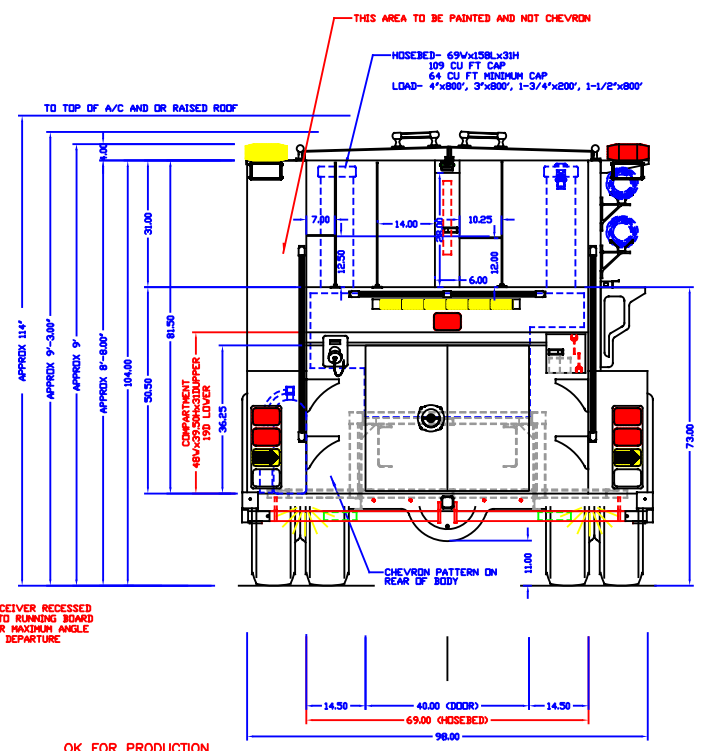
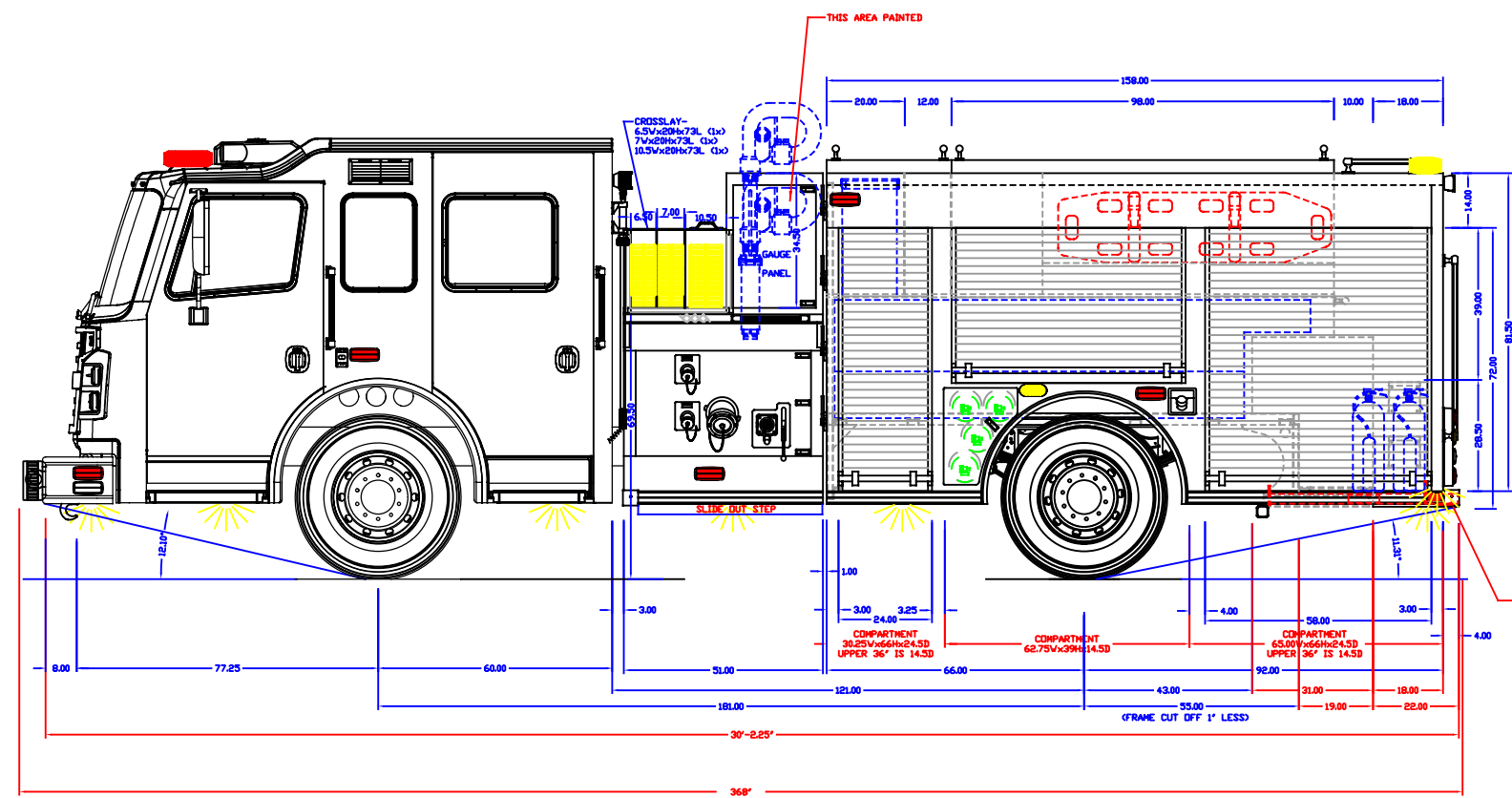
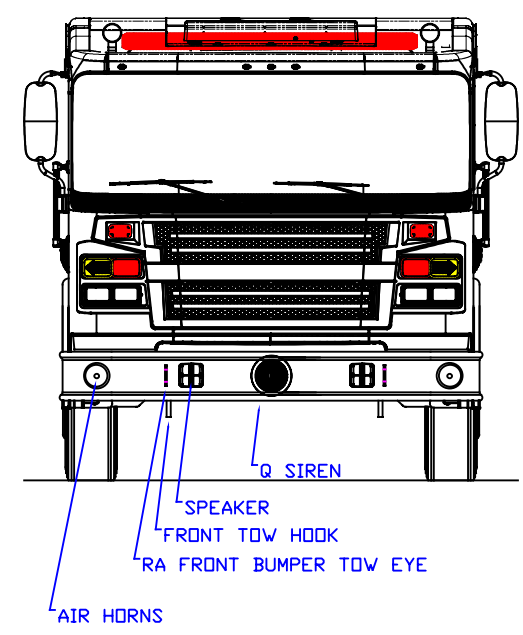
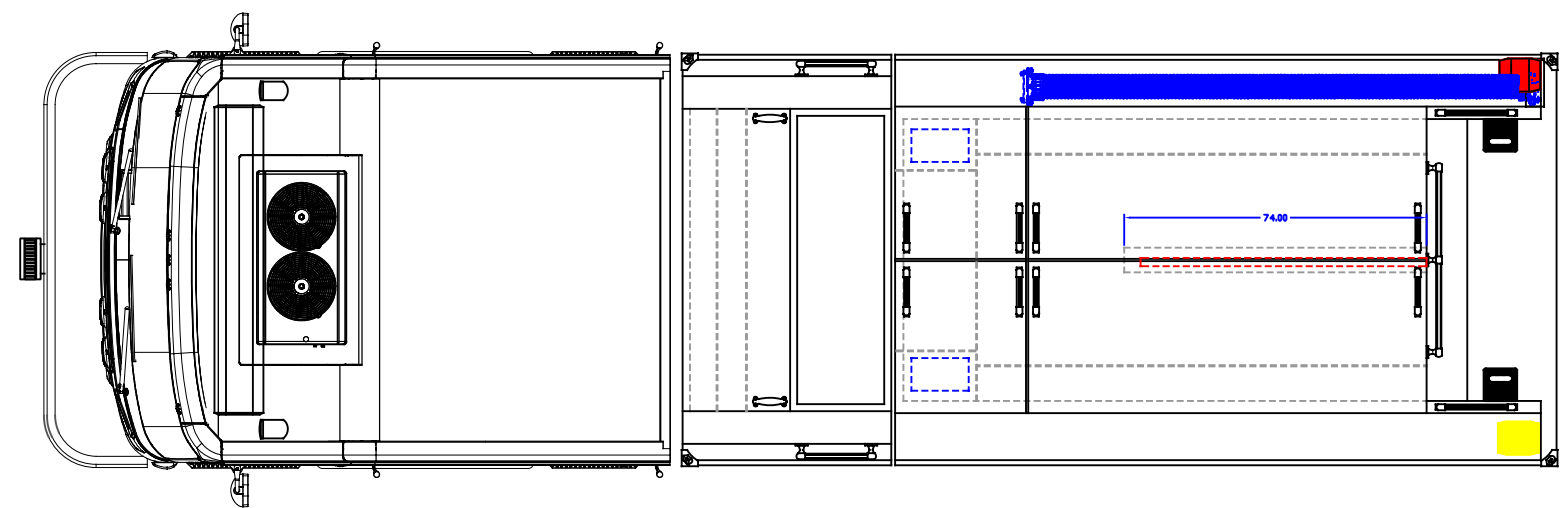


- NOTES:
1. OVERALL HEIGHT IS IN LOADED CONDITION. UNLOADED HEIGHTS MAY BE 4" ABOVE HEIGHTS SHOWN.
 2. DO NOT SCALE DRAWING.
 3. ALL DIMENSIONS ARE APPROXIMATE AND SUBJECT TO ENGINEERING CHANGES.
 4. DRAWING MAY OR MAY NOT SHOW ALL ITEMS AS DESCRIBED IN THE WRITTEN DETAIL SPECIFICATIONS.
 5. INCLUSION OF AN ITEM ON THE DRAWING DOES NOT CONSTITUTE INCLUSION OF THAT ITEM WITH THE FINAL DELIVERED UNIT.
 6. THE EFFECTIVE DOOR OPENINGS WILL BE APPROX. 2" LESS THAN THE NOTED COMPARTMENT OPENING FOR ROLL UP DOORS AND UP TO APPROX. 4" LESS FOR HINGED DOORS



OK FOR PRODUCTION
INITIALS: HF
JOB NUMBER: 17887-90
DATE: 2/21/2019

MAIN FILE: -
DEPT: -
DEALER: -

PRODUCTION APPROVED

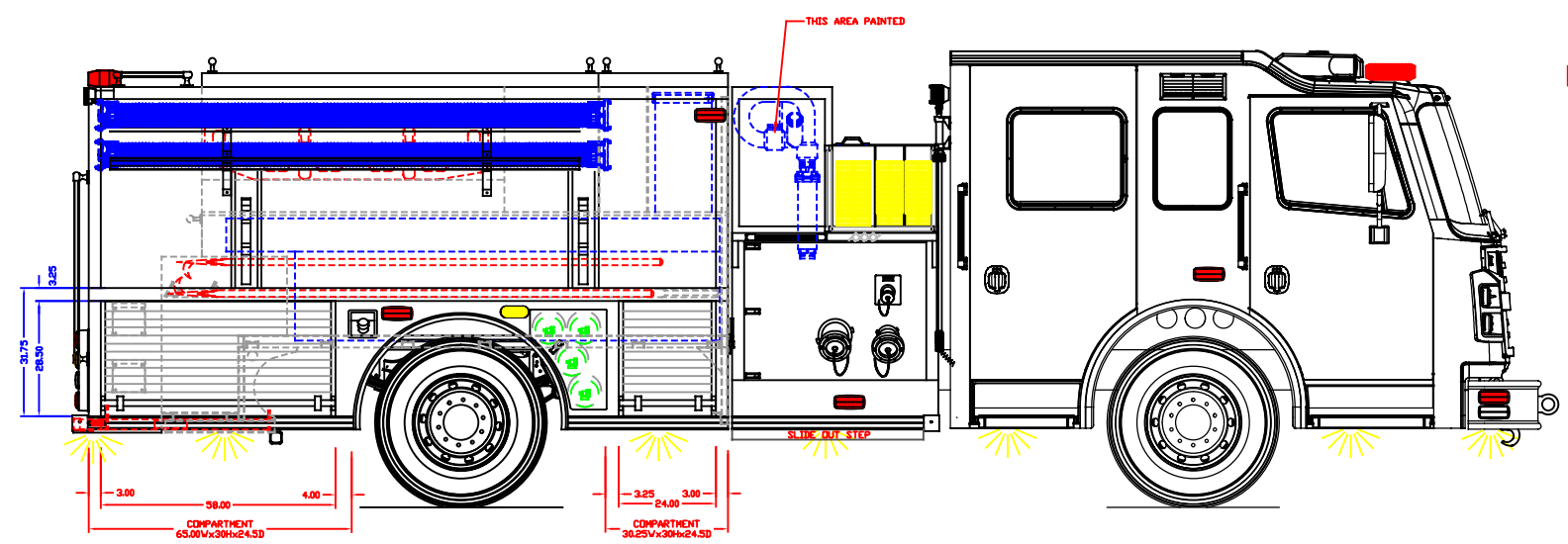
APPROVED BY:

CHASSIS: ROSENBAUER
PUMP: WATEROUS 1500 GPM
TANK: POLY/580/30(FOAM)
PANEL MATL: THERMOPLASTIC
COMP INTERIOR: SPRAY LINED

REVISED: HF	DATE: 2/21/19
REVISED: NJK	DATE: 08-22-16
REVISED: NJK	DATE: 8/12/16
REVISED: WLM	DATE: 07-19-16
REVISED: WLM	DATE: 03-10-15
REVISED: WLM	DATE: 01-15-15
REVISED: WLM	DATE: 05-21-14
DRAWN: WLM	DATE: 01-30-14

MAXIMUM HEIGHT	114"
MAXIMUM LENGTH	368"
BODY WIDTH	98"

PROPRIETARY AND CONFIDENTIAL
THE INFORMATION CONTAINED IN THIS DRAWING IS THE SOLE PROPERTY OF ROSENBAUER. ANY REPRODUCTION IN PART OR AS A WHOLE WITHOUT THE WRITTEN PERMISSION OF ROSENBAUER IS PROHIBITED.



COUNTY OF VENTURA, CA



ROSENBAUER FX 3/16"

ventura, ca4



rosenbauer

VENTURA COUNTY FIRE DEPT.

VCFD.ORG





R rosenbauer

31
VENTURA COUNTY
FIRE DEPT.
VCFD

VENTURA COUNTY FIRE DEPT.
VCFD.ORG

34
VENTURA COUNTY
FIRE DEPT.

VENTURA COUNTY
FIRE DEPT.

VENTURA COUNTY
FIRE DEPT.

WERNER